

MIRA 22 IN. X 32 IN. MIRROR

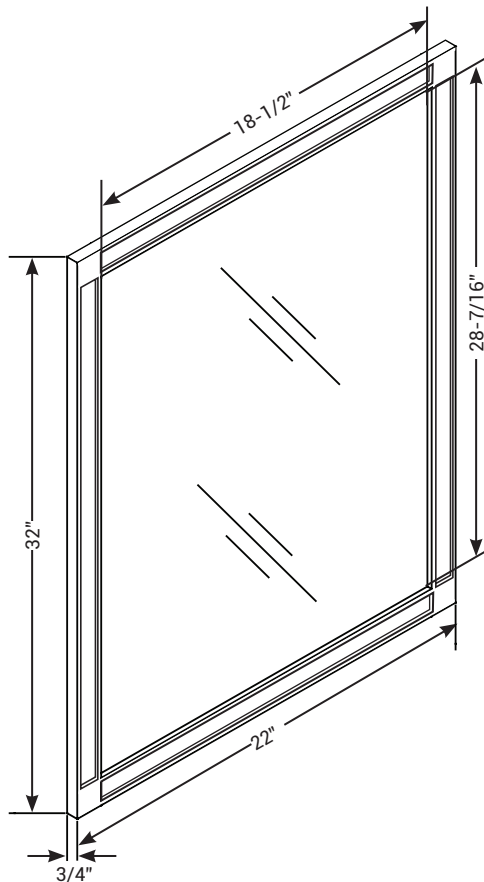
CAMMIR32TW (White)



FEATURES

MODEL	CAMMIR32TW
SIZE	32" L x 22" W x 3/4" H
WEIGHT	18.3 lbs.
MATERIAL	Wood
ORIENTATION	Horizontal or vertical
INSTALL	Wall mounted

- Designed to match the Mira family of vanities in white
- Can be mounted for horizontal or vertical display
- Mounting hardware included
- Mirrored surface dimensions are 28-7/16" L x 18-1/2" W
- 1 Year Limited Residential Warranty



BEFORE YOU BEGIN INSTALLATION

- Carefully Read the instructions before starting installation.
- This product should be installed by an experienced professional.

If you are missing any part, please stop and contact us immediately at (205) 702-9101.

MIRA 22 IN. X 32 IN. MIRROR

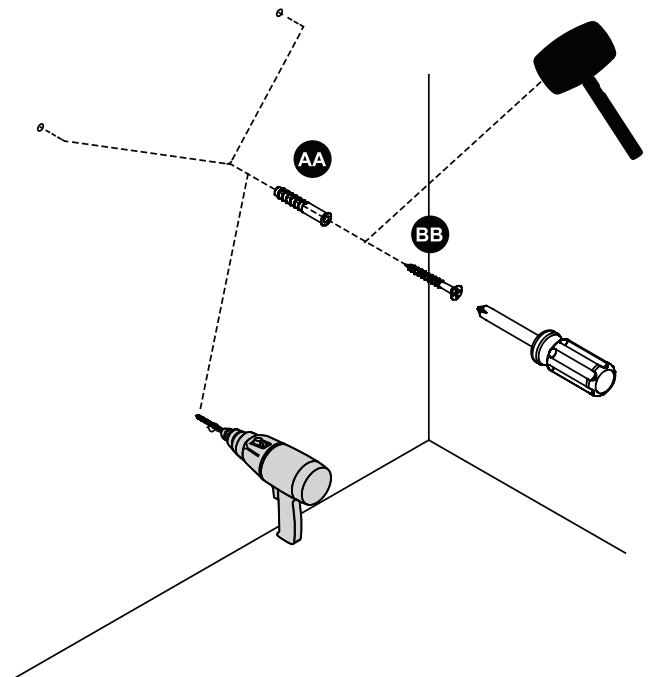
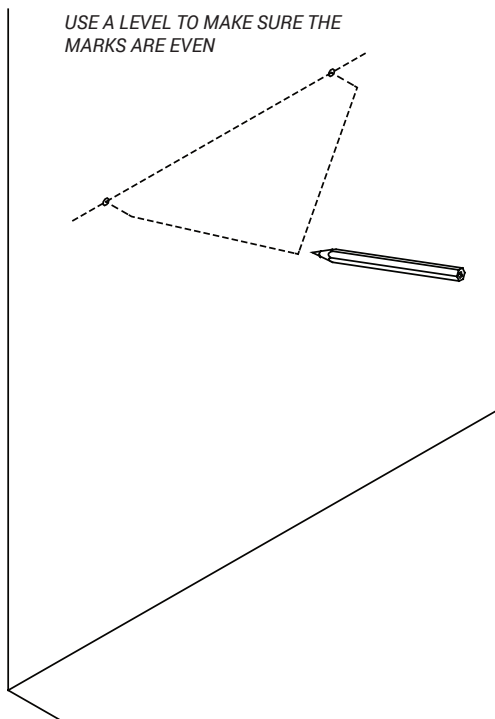
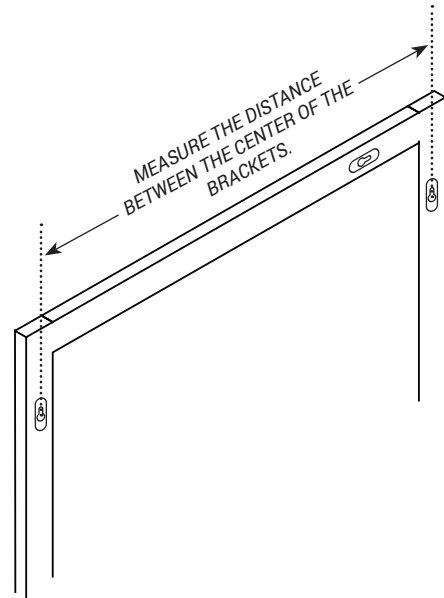
Installation Instructions



INSTALL THE MIRROR

Hanging brackets come pre-installed on the back of the mirror frame.

1. Determine the desired orientation - vertical or horizontal. Measure the distance from the center of the brackets.
2. Identify the location for the mirror. Using a level to ensure a straight line, make two marks at the same distance measured in the first step.
3. Pre-drill holes and install the anchors included with the mirror. Install the screws in the anchors, leaving at least 1/4" for the mirror brackets to hang onto.
4. Hang your mirror.



MIRA 22 IN. X 32 IN. MIRROR

Care & Maintenance



Cahaba's mirror products will remain beautiful for many years if you properly care for them.

Cahaba does not recommend the use of harsh abrasive cleansers on any of its products. Harsh cleansers will damage the finish of your mirror.

MAINTENANCE

- For daily maintenance, use a wet cloth and a soft liquid cleaner.
- Never use abrasive cleaners or strong bleach, scrapers, metallic brushes, or other objects or any products which can graze or tarnish surfaces.

MIRA 22 IN. X 32 IN. MIRROR

Limited 1-Year Warranty



This warranty applies to CAHABA mirrors installed for commercial and residential use.

CAHABA warrants that, when installed in accordance with the Recognized Plumbing Industry Practice, the mirrors are free of manufacturing defects for a period of one (1) year from the date of purchase.

We guarantee your satisfaction with each vanity. Should any vanity not meet your satisfaction due to a visual defect, simply return it to your retailer with the original packaging, PRIOR TO INSTALLATION, for a replacement.

This warranty applies only to the original purchaser and installation site and is not transferable.

INFORMATION ABOUT YOUR WARRANTY COVERAGE

This warranty does not cover damages or failure attributable to:

- Mirrors installed with obvious visual defects.
- Defects or damages to mirrors caused by installation that does not comply strictly with the instructions set forth in CAHABA's installation manual.
- Defects or damage to mirrors caused by severe accidents (e.g., fire, impacts).
- Damage caused by flooding or standing water from leaking pipes, faucets, household appliances, etc; up to and including flooding and any damage caused by acts of God.

FOR WARRANTY SERVICE

To make a claim, contact CAHABA no later than 30 days following the date of discovery or detection of defect.

Proof of purchase, such as the bill of sale is mandatory when requesting warranty service.

CAHABA reserves the right to designate a representative to inspect the vanity for analysis.

No unauthorized person, installer, dealer, agent or employee of CAHABA or any representative is entitled to assume any liability on behalf of CAHABA relating to the sale of this product or has the authority to increase or alter the obligations or limitations of this warranty.

THE SOLE REMEDY PROVIDED BY THIS WARRANTY IS THE REPAIR OR REPLACEMENT OF DEFECTIVE PRODUCTS.

THIS WARRANTY DOES NOT COVER THE COST OF REMOVAL OR INSTALLATION OF NEW PRODUCTS. THE WARRANTY WILL BE VOID IF THIS ITEM IS INSTALLED WITH OBVIOUS VISUAL DEFECTS.