

LOGAN 66 IN. FREESTANDING ACRYLIC TUB

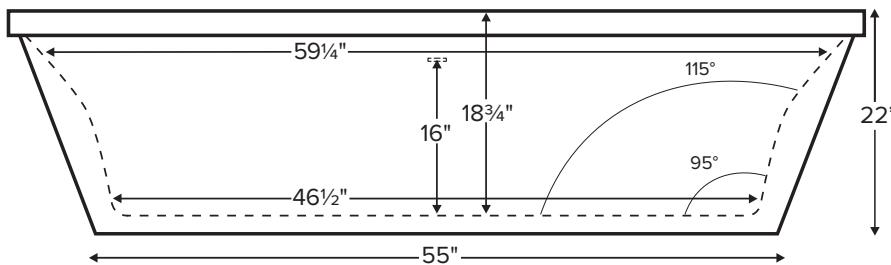
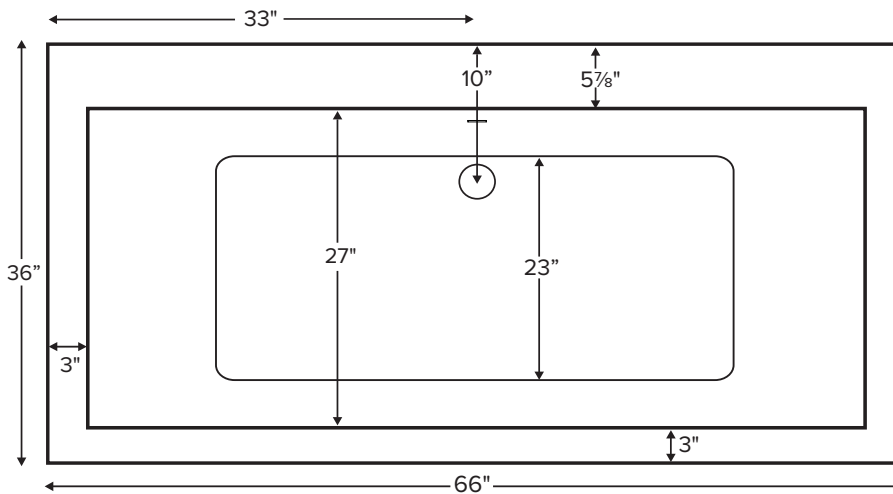
CAFTLOG66 (White Pop-Up & Overflow)



FEATURES

MODEL	CAFTLOG66
SIZE	66"L x 36"W x 22" H
DEPTH	16" Soaking Depth
CAPACITY	85 gal. Capacity
WEIGHT	165 lbs Empty
MATERIAL	Acrylic
DRAIN	Center, Included

- Constructed of crosslinked cast acrylic, thermoformed and reinforced with hand rolled fiberglass & titanium enhanced resin, in a glossy white finish
- Soaking depth of 16 in. with a 85 gal. capacity
- Features a flat deck on the drain side for mounting tub fillers; Equipped with a removable panel to access valves and drain
- Includes pre-leveled foam based and white integrated slotted overflow with matching toe-tap drain
- Made in the USA
- Limited lifetime residential warranty



BEFORE YOU BEGIN INSTALLATION

- **Drawings are for reference ONLY.**
- Carefully Read the instructions before starting installation.
- This product should be installed by a licensed professional plumber.
- Make sure the floor is finished and level before installation.
- Drain trap is not supplied

If you are missing any part, please stop and contact us immediately at (205) 702-9101.

FOR WARRANTY ISSUES OR QUESTIONS, CONTACT CAHABA AT (205) 702-9101.




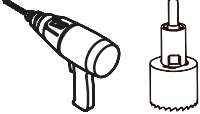

© 2021 CAHABA. ALL RIGHTS RESERVED.

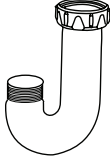
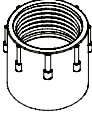
LOGAN 66 IN. FREESTANDING ACRYLIC TUB

Installation Instructions



REQUIRED TOOLS & PARTS

TOOL	DESCRIPTION
	Pencil
	Adjustable Wrench
	Measuring Tape
	Drill & Hole Saw
	Silicone

PART	DESCRIPTION
	P-Trap (NOT SUPPLIED)
	Adapter (INCLUDED)

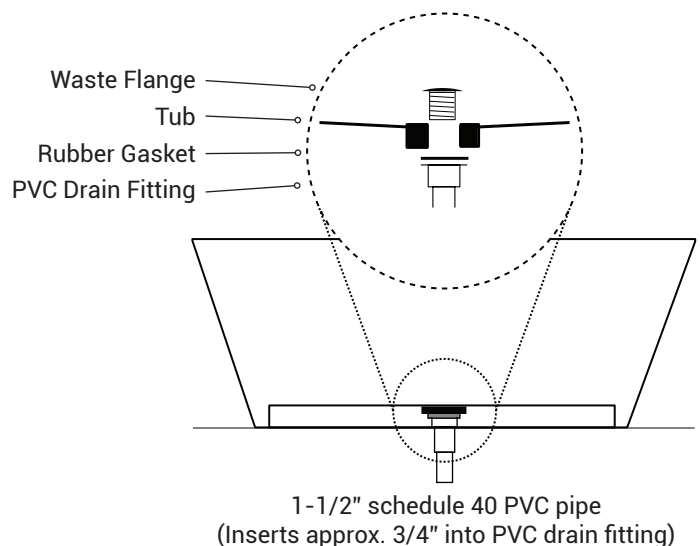
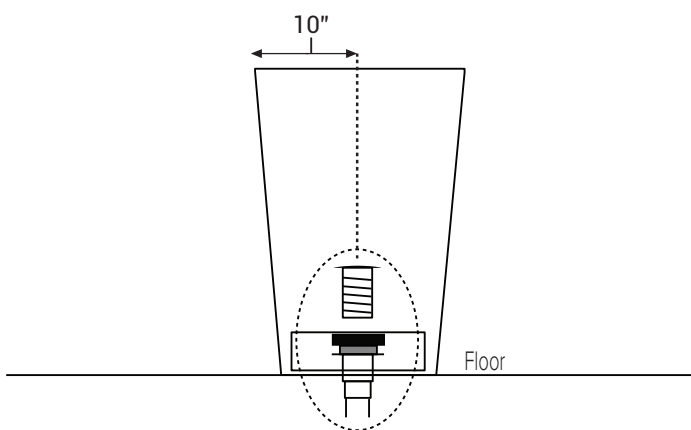
PRE-INSTALLATION

This tub is designed to install on top of the finished, level floor and features an access panel behind the waste and overflow for ease of installation. However, access from below tub is recommended for installation.

1. This tub is designed to install with the tub drain aligned directly above the drain pipe. Rough in the waste pipe from the center of the drain to the outside edge of the tub. See diagram below for measurement.

If there is no access from below, box out around the drain pipe approximately 3" to allow trimming drain pipe below grade.

2. Thread the PVC drain fitting onto the waste flange. We recommend using a small amount of clear silicone on the threads of the PVC drain fitting to act as a thread sealant. Tighten until it seats, plus one quarter turn.



LOGAN 66 IN. FREESTANDING ACRYLIC TUB

Installation Instructions



INSTALLATION - WITH ACCESS FROM BELOW

1. Set the tub. Apply a 1/2" bead of construction adhesive or clear silicone to the bottom of the tub to adhere it to the floor and carefully lower the tub to the floor with drain fitting aligned with opening in the floor. The size of the cutout in the floor must allow for the entire drain to clear.
2. Immediately wipe any excess adhesive from tub shell and surrounding areas with a soft, damp cloth.
3. Connect the drain to the P-trap from below.
4. Water Test. Allow silicone to dry. Fill tub to overflow, allowing water to stand for 30 minutes. Check carefully for any leaks.
5. Allow 24 hours before use.

NOTE: Failure to check floor for flat & level surface, or properly water test the tub & drain, which could result in improper drainage of the bath, is the responsibility of the installer.

INSTALLATION - NO ACCESS FROM BELOW

1. Trim waste pipe to the proper height. NOTICE: DO NOT LET THE TUB REST ON THE DRAIN PLUMBING. Take into account the distance from the bottom of the tub drain to the floor and height of the waste fitting or assembly, including the gasket. See page 2 illustrations.
2. Set the tub and connect the drain. Apply a 1/2" bead of construction adhesive or clear silicone to the bottom of the tub and prepare the waste pipe and drain fitting with PVC cement.
3. Immediately wipe any excess silicone from the tub shell and surrounding areas with a soft, damp cloth.
4. Water Test. Allow silicone to dry. Fill tub to overflow, allowing water to stand for 30 minutes. Check carefully for any leaks.
5. Allow 24 hours before use.

NOTE: Failure to check floor for flat & level surface, or properly water test the tub & drain, which could result in improper drainage of the bath, is the responsibility of the installer.

Carefully lower the tub to the floor with drain fitting aligned with waste pipe. The use of 2x4s may be helpful in lowering the tub to the finished floor.

INSTALLING DECK-MOUNTED FAUCETS

1. Use access panel behind the integral faucet deck to install valves in accordance with valve manufacturer's installation instructions.
2. We recommend the use of braided stainless steel supply lines for best fit between the walls of the tub.
3. Mark on the faucet deck the planned location of each valve. **BEFORE DRILLING: Dry fit valve trim to ensure proper fit and clearance.**
4. Tub material may be drilled using carbide hole saw.
5. Water test for leaks all supply line and valve connections prior to final installation.

NOTE: Cahaba does not warrant leaks associated with improper drain or valve installation and will not be responsible for any costs involved with removing or reinstalling the tub.

LOGAN 66 IN. FREESTANDING ACRYLIC TUB

Care & Maintenance



Cast acrylic is a stain-resistant, non-porous material. With normal use, the acrylic will retain its inherently glossy appearance with only a minimal amount of care.

WHEN CLEANING

- Remove dust and dry dirt with a soft, damp cloth.
- Apply common household, non-abrasive cleaner in accordance with manufacturer's directions and precautions. (i.e., a mild dishwashing detergent such as Ivory Liquid). Do not use unless the product label specifically states that it is safe for acrylic.
- Rinse well and dry with a soft, clean cloth. Scouring pads will deteriorate the finish.
- Never use any type of "scrubbing bubbles" or aerosol spray cleaners on your acrylic product.
- Harsh chemicals, such as bleach and ammonia, will deteriorate the finish.
- Never use abrasive cleansers. If any product feels gritty when rubbed between your fingers, do not use on the acrylic surface or system controls as permanent damage will occur.

GENERAL CARE

- Do not allow your cast acrylic surface to come into contact with nail polish, nail polish remover, Wintergreen oil, dry cleaning solution, lacquer thinners, gasoline, pine oil, etc.
- Avoid using razor blades or other sharp objects that might scratch the surface.
- Small scratches can be removed by applying a thin coat of automotive polishing liquid and buffing lightly with a clean cloth. For deeper scratches, sand the surface lightly with a 400 grit "wet or dry" paper and buff with a fine grit buffing compound.
- Cahaba strongly recommends a professional surface repair person for deep scratches, chips or gouges.
- Damage occurring to the unit during installation is the responsibility of the installer, and after installation, the responsibility of the user.

CAUTION

Check cleaning and bathing product labels. Do not use unless the product label specifically states that it is safe for acrylic. Some non-abrasive products damage the acrylic over time.

LOGAN 66 IN. FREESTANDING ACRYLIC TUB

Limited Lifetime Residential Warranty



WHO IS COVERED BY THE WARRANTY

This warranty extends to the original purchaser only. This warranty is not transferable, between homes or owners and is only applicable to residential use.

WHAT IS COVERED BY THE WARRANTY

Cahaba warrants our bathtubs to be free from defects in workmanship and materials under normal use and service for the lifetime of the product to the original purchaser.

- Cahaba warrants the acrylic surface against blistering or cracking and chipping resulting from a defect in the acrylic surface material when used under normal conditions and service for the lifetime of the product to the original purchaser.
- Cahaba warrants your satisfaction with each bathtub. Should any bathtub not meet your satisfaction due to a visual defect, simply return it to your retailer with the original packaging, PRIOR TO INSTALLATION, for a replacement.
- Cahaba will, at its election, repair, replace, or make appropriate adjustment where the Cahaba optional inspection discloses any such defects occurring in normal usage within the warranty periods. Please note that Cahaba is not responsible for installation or removal costs.
- Modification of any bath enclosure components may void the warranty. This warranty does not cover any claim arising from abuse, misuse, negligence, accident, improper installation or operations on the part of the purchaser. This warranty is void if the Cahaba product is subject to alterations, or if repairs were done to the bath unit.
- This warranty does not extend to any additional plumbing or components installed by dealers or installers.
- Implied warranties, including that of merchantability or fitness for a particular purpose, are expressly limited in duration to the duration of this warranty.

CONDITIONS AND EXCLUSIONS

Like other home fixtures, Cahaba products will require light maintenance to ensure proper function. We provide you with complete knowledge to perform this maintenance and can also recommend resources if you are unable to fulfill this service.

- Cahaba will not be responsible for product failures due to lack of maintenance or proper use. Please read your care and maintenance documentation to determine the limits of proper use.
- The original sales receipt, order number, and/or proof of purchase must be presented at the time of the warranty claim, without exception, for this warranty to be applied to all Cahaba products.
- Cahaba recommends installing all Cahaba products with a licensed, professional plumber. Cahaba will not be held responsible for any damage or product failure due to improper installation, misuse, or failure to use a licensed professional. Please read your care and maintenance documentation to determine the limits of proper use.
- Commercial use will automatically void this warranty.

NON-APPLICABILITY OF THIS WARRANTY

By the purchase and use of our products, you agree that Cahaba is not liable for incidental, consequential or special damages associated with the return, replacement, installation or use of your product. This includes freight costs, cartridge replacement, labor, travel time, lost profit, home damages and other contingent liabilities and costs (including, without limitation, costs associated with experts, investigations, analyses, attorneys and other professionals and services).

The Cahaba warranty is a comprehensive and explicit limit of liability and all items outside of it are not addressable by or the responsibility of Cahaba. Certain states have variances regarding implied warranties and in those situations we remain fully compliant. Cahaba makes no implication that products comply with any or all local building or plumbing codes. It is the consumer's responsibility to determine local code compliance. This warranty extends to the original purchaser and first consumer.

FOR WARRANTY ISSUES OR QUESTIONS, CONTACT CAHABA AT (205) 702-9101.

© 2021 CAHABA. ALL RIGHTS RESERVED.