

# EVERY 60 IN FREESTANDING ACRYLIC TUB

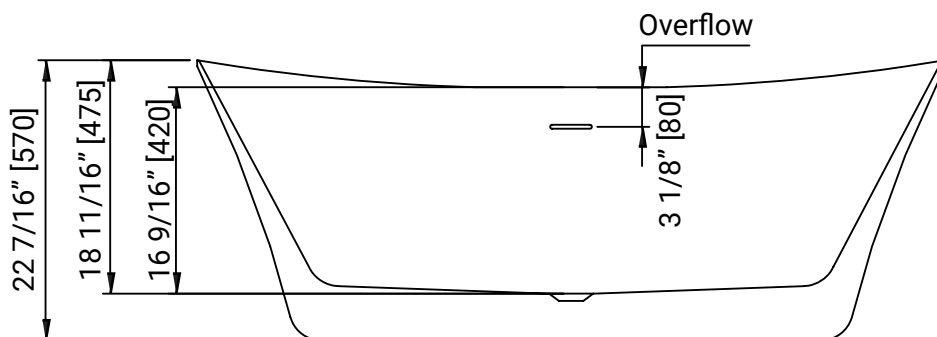
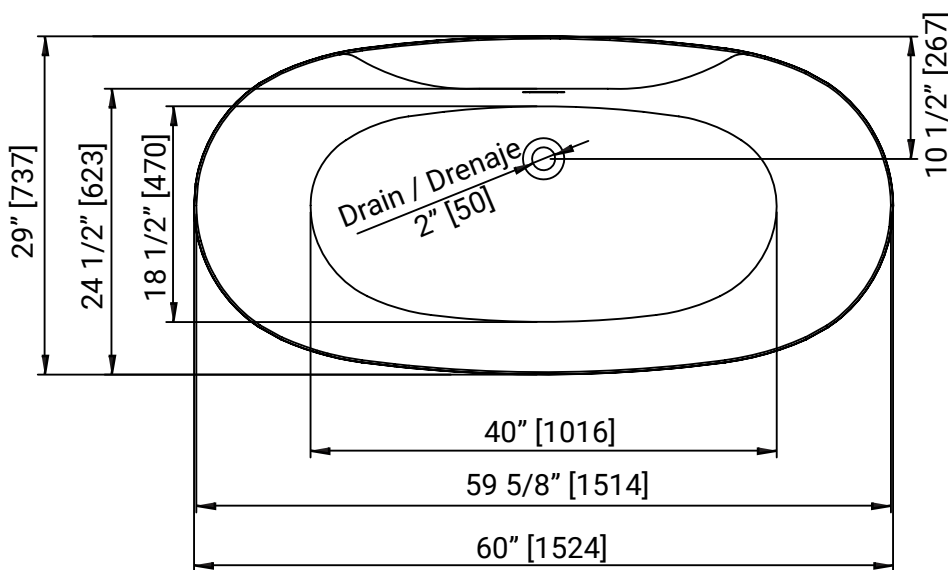
CAHCAFSTAV60-W



## FEATURES

<b>MODEL</b>	CAHCAFSTAV60-W
<b>SIZE</b>	60"L x 29"W x 22 7/16" H
<b>DEPTH</b>	13 3/8" Soaking Depth
<b>CAPACITY</b>	42.2 gal Capacity
<b>WEIGHT</b>	63.9 lbs Empty
<b>MATERIAL</b>	Acrylic
<b>DRAIN</b>	Side, Included

- Lightweight, durable acrylic reinforced with fiberglass in a glossy white finish
- Concealed, adjustable leveling legs
- Includes pre-installed white pop-up drain and waste overflow; not interchangeable
- No faucet holes - supports wall-mounted, deck mounted or freestanding faucets; Faucet not included
- Limited 25-year residential warranty



## BEFORE YOU BEGIN INSTALLATION

- **Drawings are for reference ONLY.** This guide illustrates best practices.
- Carefully Read the instructions before starting installation.
- This product should be installed by an experienced plumber.
- Make sure the floor drain is already installed and is compliant with your local regulations.
- Piping and drain trap are supplied

**If you are missing any part, please stop and contact us immediately at 205-930-5925.**

FOR WARRANTY ISSUES OR QUESTIONS, CONTACT CAHABA AT 205-930-5925.

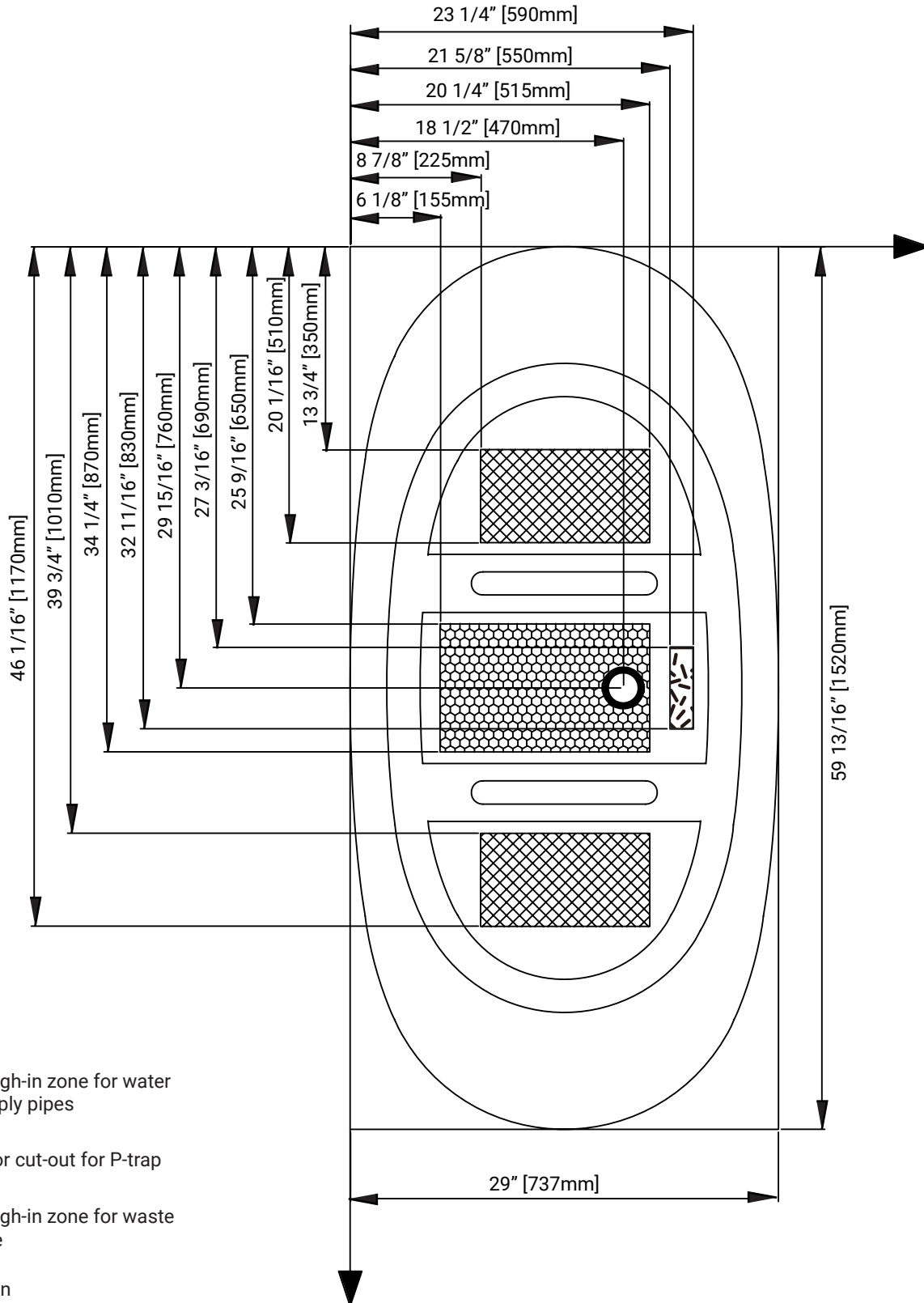
© 2021 CAHABA. ALL RIGHTS RESERVED.

# EVERY 60 IN FREESTANDING ACRYLIC TUB

Installation Instructions



## FLOOR TRACING TEMPLATE



FOR WARRANTY ISSUES OR QUESTIONS, CONTACT CAHABA AT 205-930-5925.





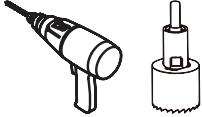

© 2021 CAHABA. ALL RIGHTS RESERVED.

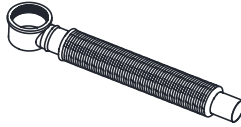
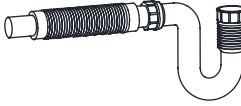

# EVERY 60 IN FREESTANDING ACRYLIC TUB

## Installation Instructions



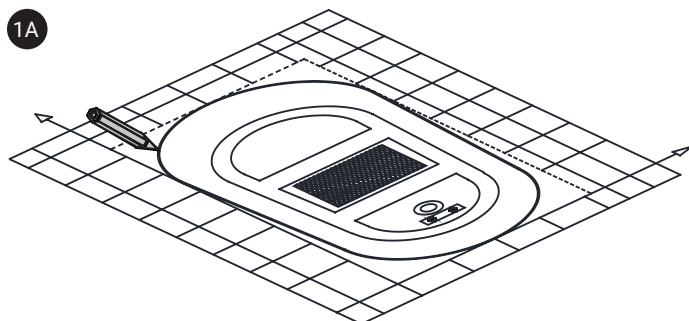
### REQUIRED TOOLS & PARTS

TOOL	DESCRIPTION
	Pencil
	Level
	Adjustable Wrench
	Measuring Tape
	Drill & Hole Saw
	Silicone

PART	DESCRIPTION
	FLEX-H2 flexible pipe
	FLEX-P flexible P-trap (NOT SUPPLIED)
	1-1/2 NPSM to SCH40 Pipe Adapter

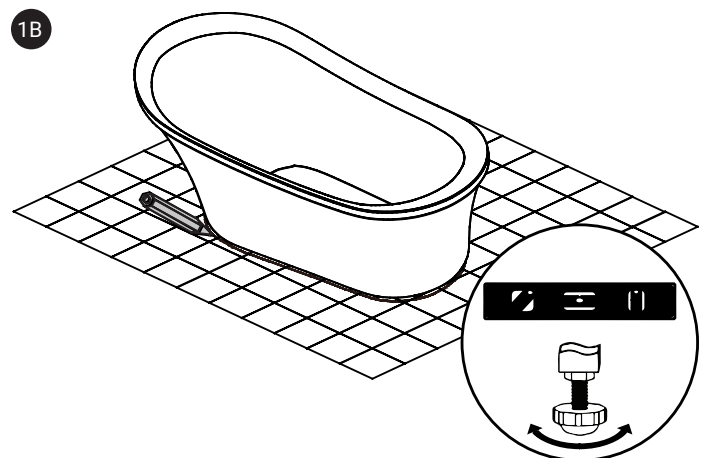
### PREPARATION

**1A.** Use the floor tracing template supplied in this manual to trace the proper position of your supply pipes, your drain and your P-Trap rough-in.



**1B.** Place the bathtub in the desired position on the floor, manually locate the proper position for your plumbing and trace the outline on the floor.

2. Place the tub in the desired position and level it using the adjustable feet.
3. Remove the bathtub and put it on a throw rug to prevent damages.



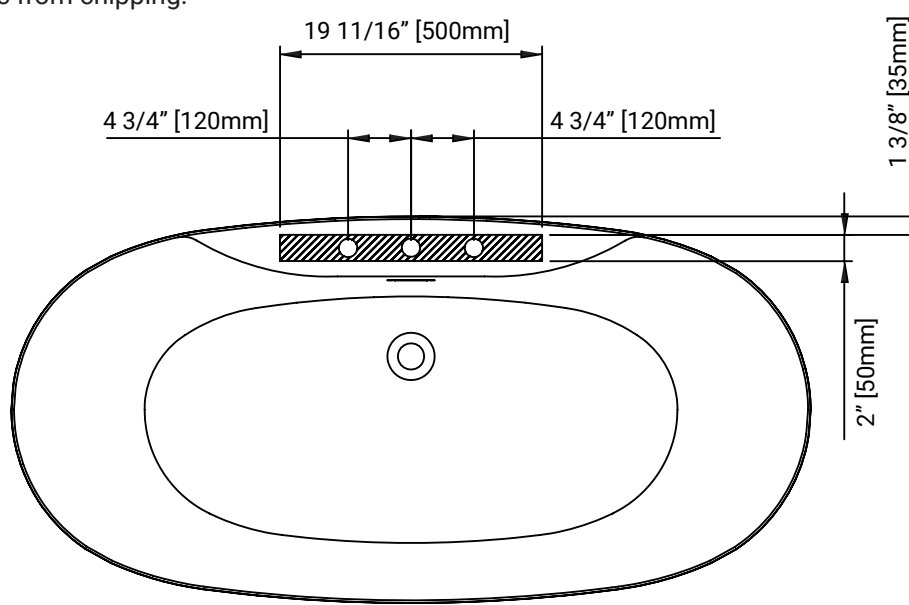
# VERY 60 IN FREESTANDING ACRYLIC TUB

Installation Instructions



## OPTIONAL FAUCET INSTALLATION

1. Locate where you will drill the holes into the acrylic, and stick masking tape onto that area. This will prevent the acrylic from chipping.
2. Drill holes for the faucets on the bathtub at the desired location.



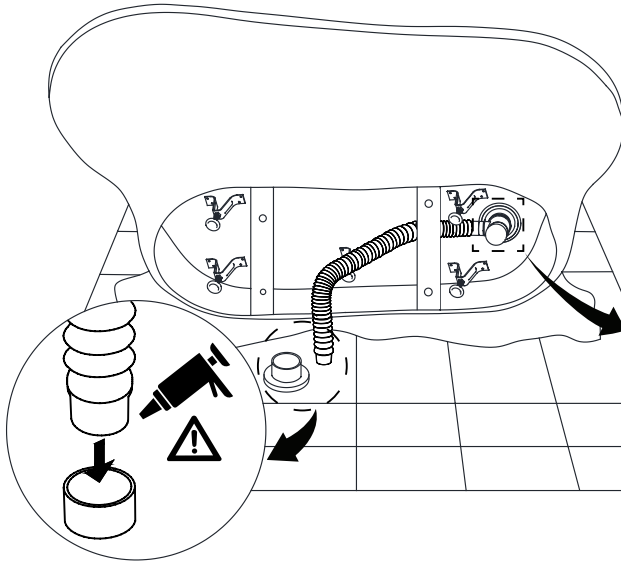
# EVERY 60 IN FREESTANDING ACRYLIC TUB

## Installation Instructions

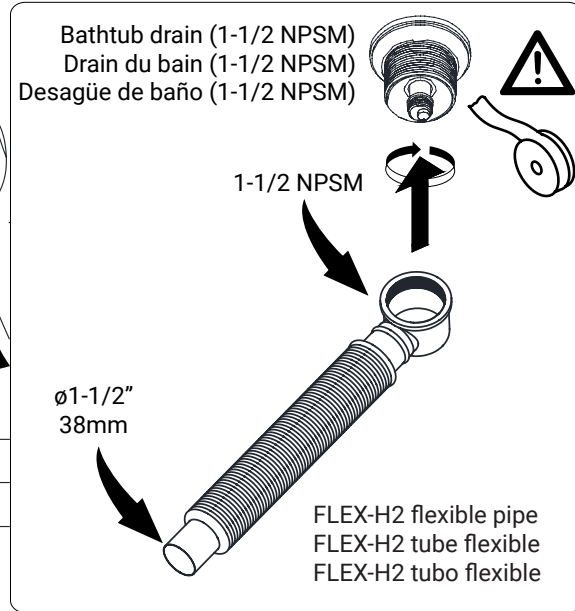


### INSTALLATION - OPTION 1

1. Install the FLEX-H2 flexible pipe by screwing it to the preinstalled bathtub drain outlet. Use teflon tape and/or thread sealant.

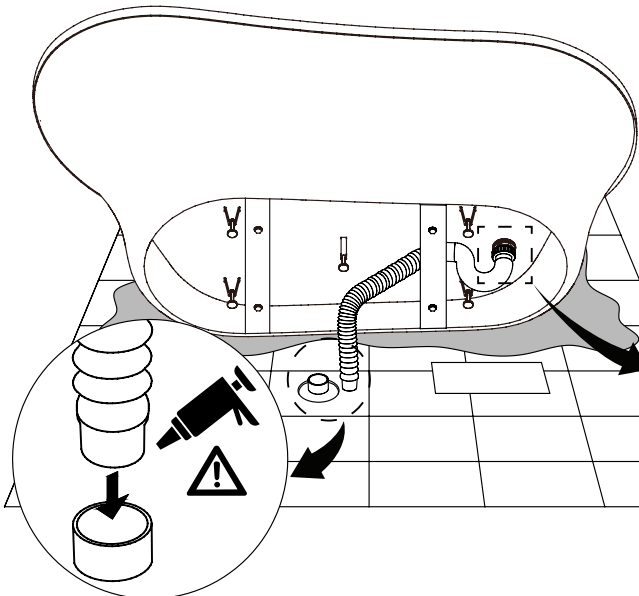


2. Connect the flexible pipe to your existing floor drain as illustrated, using PVC pipe sealant to join the parts together.

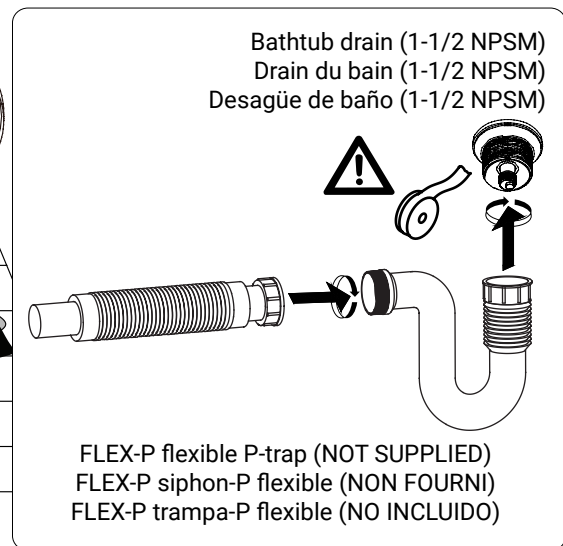


### INSTALLATION - OPTION 2

1. Install the FLEX-P flexible P-Trap by screwing it to the preinstalled bathtub drain outlet. Use teflon tape and/or thread sealant. Then, as shown in the illustration, connect the P-Trap to the Flexible Tube.
2. Connect the Flexible Tube to your existing floor drain



- as illustrated, using PVC pipe sealant to join the parts together.
3. Note: The FLEX-P consisting of the P-Trap and Flexible Tube parts are not supplied. It is available for purchase upon request. Call our customer service.



# VERY 60 IN FREESTANDING ACRYLIC TUB

## Installation Instructions



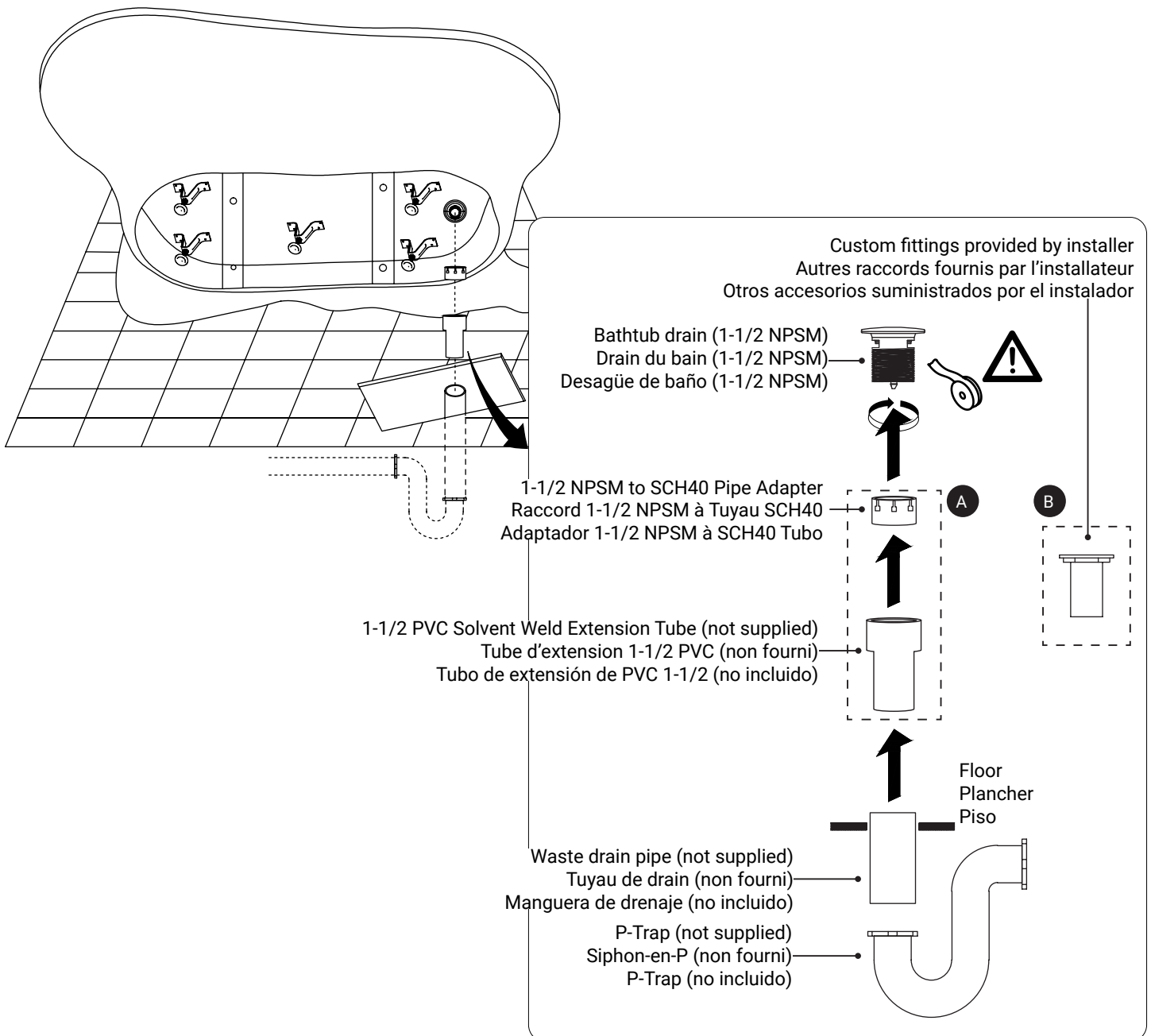
### INSTALLATION - OPTION 3

#### A.

1. Apply Teflon Tape and/or thread sealant to the pre-installed bathtub drain.
2. Screw the provided 1-1/2 NPSM to SCH40 Pipe Adapter to the drain. Cut a 1-1/2 PVC Extension Tube to the desired length. Then connect it to the Adapter using PVC pipe sealant to join the parts together.

#### B.

3. Use any custom fittings to connect the bathtub drain to the existing waste pipe. Be sure to follow local codes and best plumbing practices.
4. Connect the PVC tubing to the existing waste drain pipe on the floor using PVC pipe sealant to join the parts together.



# VERY 60 IN FREESTANDING ACRYLIC TUB

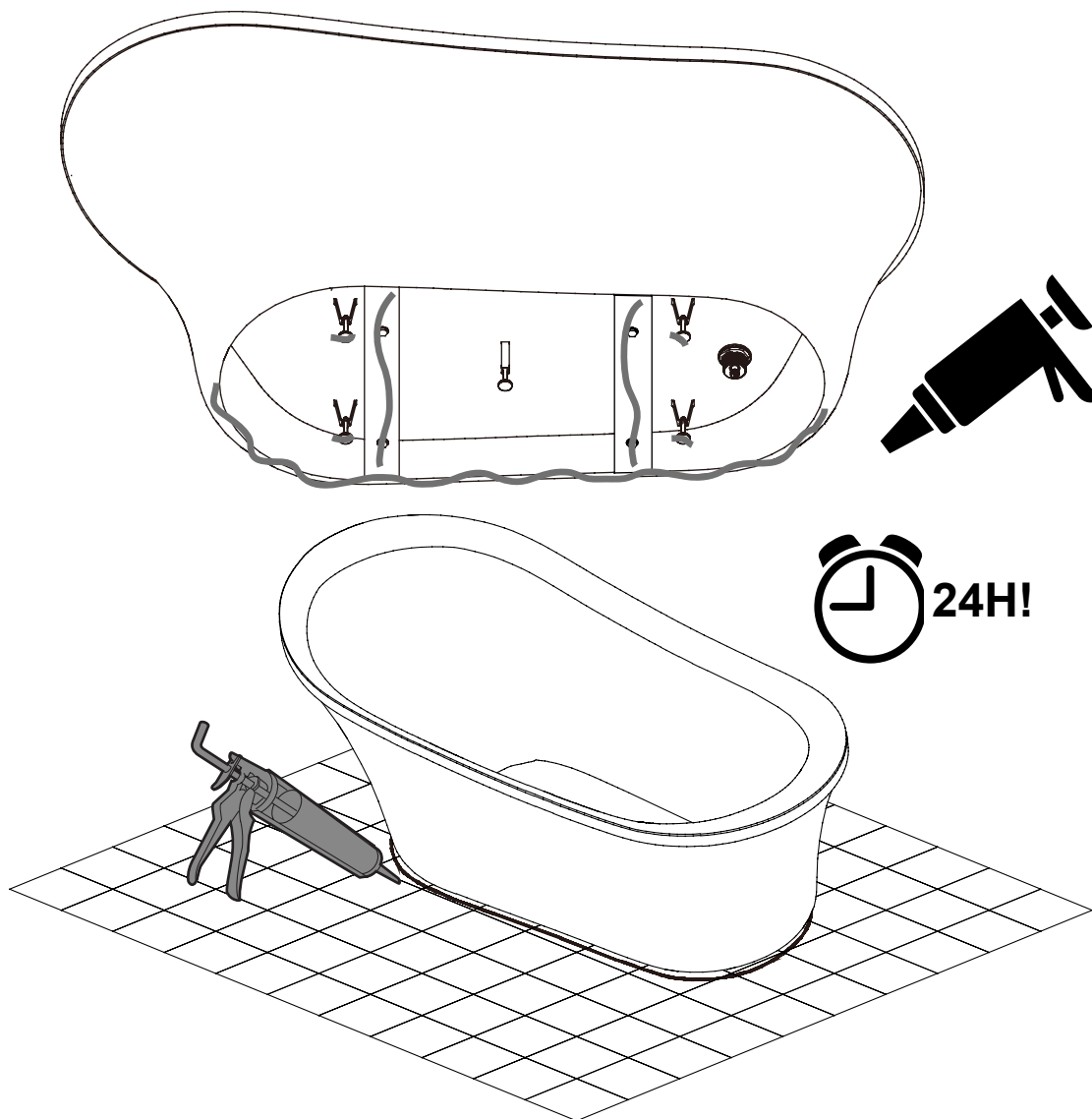
Installation Instructions



## SECURING THE TUB

**IMPORTANT: Before fixing your tub to the floor, make sure you have installed your faucet (if applicable) and that you have checked for leaks.**

1. Test for leaks by filling up the tub and let it drain. Then check all plumbing connections for leaks.
2. Fix the bathtub to the floor by applying a strong Tub & Tile Adhesive under the edges of the tub that will be in contact with the floor: the rim, lateral bars and the feet.
3. For a professional finish, draw a bead of silicone around the base.
4. Let dry 24 hours.



FOR WARRANTY ISSUES OR QUESTIONS, CONTACT CAHABA AT 205-930-5925.

© 2021 CAHABA. ALL RIGHTS RESERVED.

# EVERY 60 IN FREESTANDING ACRYLIC TUB

## Care & Maintenance



Acrylic tubs have a solid surface and the color goes all the way through the acrylic, rather than being painted or sprayed on. Because its a non-porous surface, acrylic is very easy to clean, but you'll still want to be sure the cleaning agent will not affect the finish of your tub.

### RECOMMENDED CLEANERS

For routine cleaning use a non-abrasive soap. Dish washing detergent such as Joy®, Palmolive®, Ivory®, Dawn®, etc. and a soft sponge or cloth is all you need.

For stains or marks that require something stronger, the following are safe to use: Fantastic®, Tackle®, Top Job®, Formula 409®, ScrubFree®, Calgon Bath®, Clorox Bleach®, Spiffits®, Glass Plus®, and Spic & Span Powder®.

### SUGGESTED MAINTENANCE

Scratches and dulling can be removed with a liquid polisher such as Cramer® Kitchen & Bath Acryl Star or Gel-Gloss®, or a metal polish. If your tub is lightly scratched, you can easily buff it out with polishing compound like buffing out fine scratches on a new car.

Deep scratches or burns can be removed by use of a very fine sandpaper (1500 grit) and then finishing with a liquid polish. Always wet the sandpaper with water to avoid scratching the surface and use a circular motion, covering an area wider than the scratch. Follow any buffing with polishing compound on the repaired area to bring it back to its original shine.

### CAUTION

DO NOT clean your acrylic bathtub with paint thinner, Goof Off®, Scrubbing Bubbles®, Acetone, Lacquer Thinner, M. E. K.®, or other chemicals that attack the structural integrity of plastics (including, but not limited to, acetones). Use of these chemicals will destroy the acrylic surface of your bathtub and there is no way to reverse the damage caused by this type of chemical reaction. USE OF THESE CHEMICALS WILL VOID YOUR WARRANTY.



# EVERY 60 IN FREESTANDING ACRYLIC TUB

Limited 25 Year Warranty



## WHO IS COVERED BY THE WARRANTY

This warranty extends to the original purchaser only. This warranty is not transferable, between homes or owners and is only applicable to residential use.

## WHAT IS COVERED BY THE WARRANTY

Cahaba warrants our bathtubs to be free from defects in workmanship and materials under normal use and service for a period of 25 years.

- Cahaba warrants the acrylic surface against blistering or cracking and chipping resulting from a defect in the acrylic surface material when used under normal conditions and service for a period of 25 years from the purchase date.
- Cahaba warrants your satisfaction with each bathtub. Should any bathtub not meet your satisfaction due to a visual defect, simply return it to your retailer with the original packaging, PRIOR TO INSTALLATION, for a replacement.
- Cahaba will, at its election, repair, replace, or make appropriate adjustment where the Cahaba optional inspection discloses any such defects occurring in normal usage within the warranty periods. Please note that Cahaba is not responsible for installation or removal costs.
- Modification of any bath enclosure components may void the warranty. This warranty does not cover any claim arising from abuse, misuse, negligence, accident, improper installation or operations on the part of the purchaser. This warranty is void if the Cahaba product is subject to alterations, or if repairs were done to the bath unit.
- This warranty does not extend to any additional plumbing or components installed by dealers or installers.
- Implied warranties, including that of merchantability or fitness for a particular purpose, are expressly limited in duration to the duration of this warranty.

## CONDITIONS AND EXCLUSIONS

Like other home fixtures, Cahaba products will require light maintenance to ensure proper function. We provide you with complete knowledge to perform this maintenance and can also recommend resources if you are unable to fulfill this service.

- Cahaba will not be responsible for product failures due to lack of maintenance or proper use. Please read your care and maintenance documentation to determine the limits of proper use.
- The original sales receipt, order number, and/or proof of purchase must be presented at the time of the warranty claim, without exception, for this warranty to be applied to all Cahaba products.
- Cahaba recommends installing all Cahaba products with a licensed, professional plumber. Cahaba will not be held responsible for any damage or product failure due to improper installation, misuse, or failure to use a licensed professional. Please read your care and maintenance documentation to determine the limits of proper use.
- Commercial use will automatically void this warranty.

## NON-APPLICABILITY OF THIS WARRANTY

By the purchase and use of our products, you agree that Cahaba is not liable for incidental, consequential or special damages associated with the return, replacement, installation or use of your product. This includes freight costs, cartridge replacement, labor, travel time, lost profit, home damages and other contingent liabilities and costs (including, without limitation, costs associated with experts, investigations, analyses, attorneys and other professionals and services).

The Cahaba warranty is a comprehensive and explicit limit of liability and all items outside of it are not addressable by or the responsibility of Cahaba. Certain states have variances regarding implied warranties and in those situations we remain fully compliant. Cahaba makes no implication that products comply with any or all local building or plumbing codes. It is the consumer's responsibility to determine local code compliance. This warranty extends to the original purchaser and first consumer.

FOR WARRANTY ISSUES OR QUESTIONS, CONTACT CAHABA AT 205-930-5925.

© 2021 CAHABA. ALL RIGHTS RESERVED.