

16 IN. SINGLE BOWL UNDERMOUNT BAR/PREP SINK
CAHCASS16RUMSB



FEATURES

MODEL CAHCASS16RUMSB

SIZE Overall: $\phi 17.125 \times 7$ "

BOWL(S) $\phi 15.125 \times 7$ "

DEPTH 7"

WEIGHT 26 lbs.

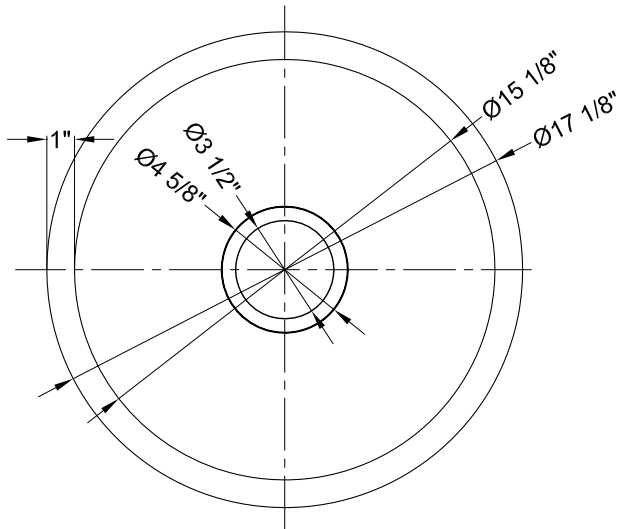
MATERIAL Stainless Steel

DRAIN Center

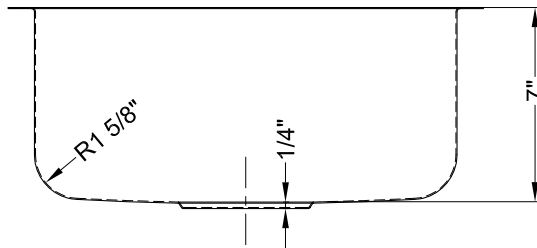
MOUNT Undermount

- 16 Gauge Thickness
- 304 Stainless Steel Sink
- Sound Cancellation Pads
- Thermal Undercoating
- Requires 3-1/2 in. drain assembly and support framing or mounting hardware (not included)
- Compatible with garbage disposals; does not require a flange extension
- Limited Lifetime Warranty

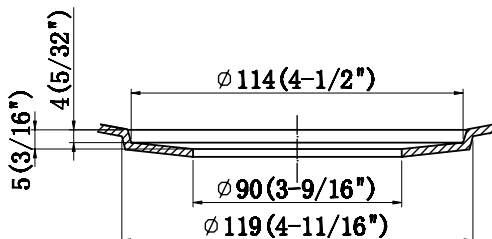
TOP VIEW



FRONT VIEW



DRAIN



BEFORE YOU BEGIN INSTALLATION

- Carefully Read the instructions before starting installation.
- This product should be installed by an experienced professional.
- Drain pipe is not supplied. Connect to an existing drain pipe.

If you are missing any part, please stop and contact us immediately at (205) 702-9101.