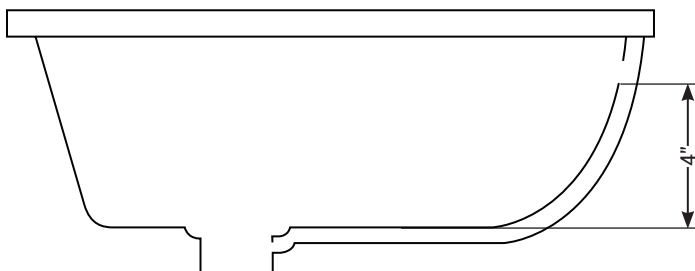
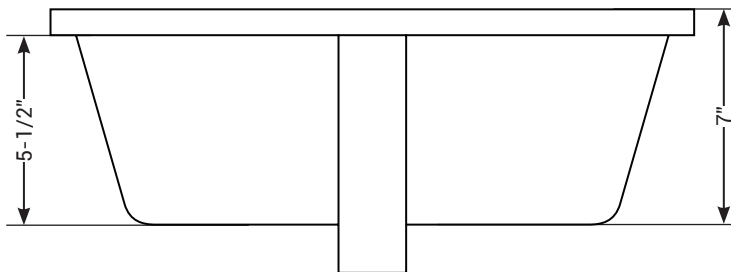
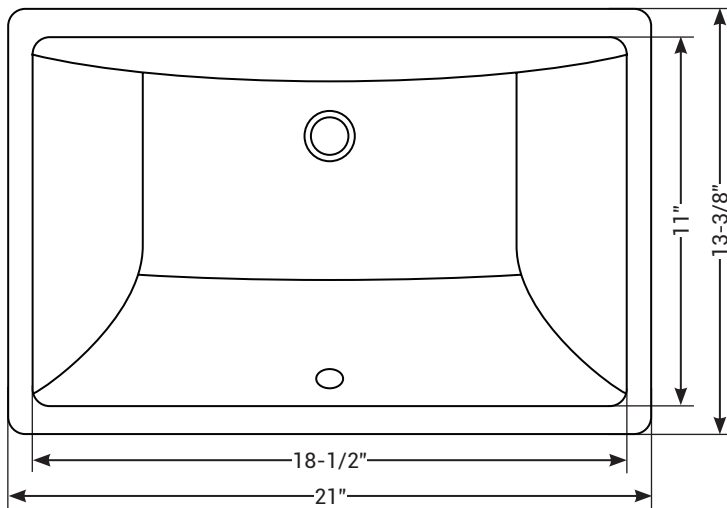


# 21 IN. PORCELAIN TROUGH BATHROOM SINK

CA425T18-W (White)



## FEATURES

<b>MODEL</b>	CA425T18-W
<b>SIZE</b>	13-3/8" L x 21" W x 7"H
<b>BOWL</b>	11" L x 18-1/2" W x 5-1/2" H
<b>DEPTH</b>	4" to overflow
<b>WEIGHT</b>	20 lbs.
<b>STYLE</b>	Trough
<b>MATERIAL</b>	Vitreous China
<b>DRAIN</b>	1-3/4" Dia., Rear
<b>MOUNT</b>	Undermount

- Features an unglazed rim and front overflow
- The gently beveled inner basin prevents water from collecting
- Pop-up drain assembly and faucet not included
- Must be installed under solid surface countertop
- 1 Year Limited Residential Warranty

## BEFORE YOU BEGIN INSTALLATION

- Carefully Read the instructions before starting installation.
- This product should be installed by an experienced professional.
- Drain pipe is not supplied. Connect to an existing drain pipe.

**If you are missing any part, please stop and contact us immediately at (205) 702-9101.**

FOR WARRANTY ISSUES OR QUESTIONS, CONTACT CAHABA AT (205) 702-9101.

©2021 CAHABA. ALL RIGHTS RESERVED.

# 21 IN. PORCELAIN TROUGH BATHROOM SINK

## Installation Instructions



### PRE-INSTALLATION

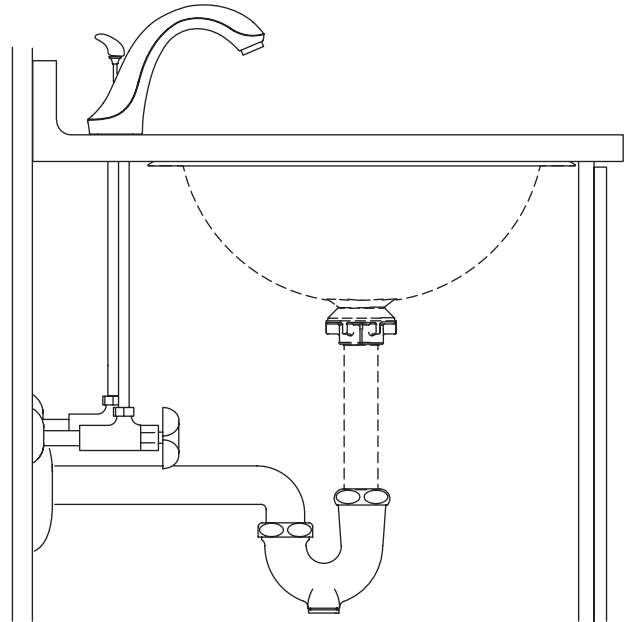
**CAUTION: Product can break, chip or cause injury if handled carelessly. Handle with care**

1. Provide your counter top manufacturer with your bathroom sink prior to installation. Your counter top manufacturer should pre-install the anchors into the underside of the counter top.

Use the anchors and fasteners provided by the counter top manufacturer and the clamps provided with your sink.

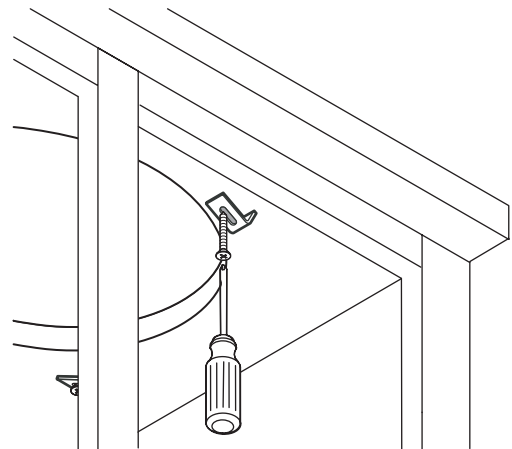
2. Verify cabinet clearance.

**IMPORTANT: DO NOT use adhesives or adhesive sealants to install this sink. Observe all local plumbing and building codes.**

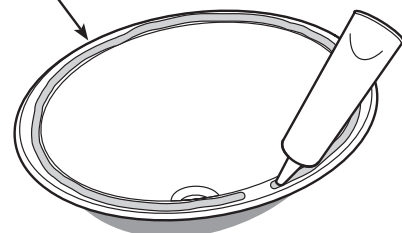


### INSTALL THE SINK

1. Clean the bottom of the counter top and the top flange (or lip) of the sink with denatured alcohol.
2. Loosely install the clips.
3. Generously apply 100% silicone adhesive sealant evenly around the top of the sink rim.



APPLY SILICONE SEALANT AFTER CLEANING THE SINK EDGE AND COUNTER TOP



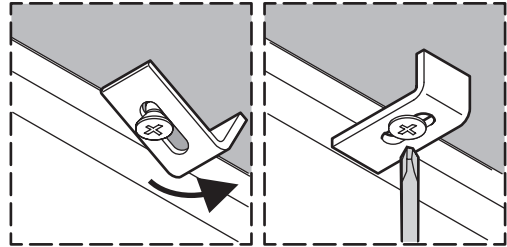
# 21 IN. PORCELAIN TROUGH BATHROOM SINK

## Installation Instructions



4. Position the sink under the opening. Hold the sink in place and rotate each clip over the rim. Evenly tighten the clips to secure.
5. Immediately remove excess sealant.
6. Complete the faucet and drain installations.

BE CAREFUL NOT TO OVER-TIGHTEN CLIPS.



**IMPORTANT: Cahaba is not responsible for sink or counter top if damaged during installation. Be sure to inspect the sink for damage prior to beginning installation.**



# 21 IN. PORCELAIN TROUGH BATHROOM SINK

## Care & Maintenance



For best results, keep the following in mind when caring for your Cahaba product:

- Always test your cleaning solution on an inconspicuous area before applying to the entire surface.
- Wipe surfaces clean and rinse completely with water immediately after applying cleaner. Rinse and dry any over-spray that lands on nearby surfaces.
- Do not allow cleaner to soak.
- Use a soft, dampened sponge or cloth. Never use an abrasive material such as a brush or scouring pad to clean surfaces.
- Rinse thoroughly and use a soft cloth to wipe the product dry after each use.

## RECOMMENDED CLEANERS

Success with cleaners and procedures is dependent upon such factors as the hardness and temperature of the water, using exact measurements of ingredients, changes in cleaning formulas and the condition of the product being cleaned. Since there are variations within these factors, Cahaba cannot guarantee the effectiveness of the formulas.

Soft abrasive cleaners may be used when necessary to clean Cahaba vitreous china products. Strong abrasive cleaners will scratch and dull the surface. Products to consider include:

- Clorox Disinfecting Bathroom Cleaner
- Comet Bathroom Cleaner
- Fantastik Antibacterial Heavy Duty
- Formula 409 Antibacterial All Purpose
- Green Works All-Purpose
- Lysol Bathroom Cleaner
- Soft Scrub Gel with Bleach
- Soft Scrub Lemon Cleanser
- Tilex Bathroom Cleaner

For rust removal:

- Bar Keepers Friend
- Super Iron Out Rust Stain Remover

# 21 IN. PORCELAIN TROUGH BATHROOM SINK

1 Year Limited Residential Warranty



This product has been manufactured and tested to the highest quality standards by Cahaba. We offer our customers thoughtfully crafted fixtures & accessories, engineered for enduring performance over years of use.

## WHO IS COVERED BY THE WARRANTY

This warranty extends to the original purchaser only. This warranty is not transferable, between homes or owners and is only applicable to residential use.

## WHAT IS COVERED BY THE WARRANTY

Cahaba warrants this product against defects due to material or craftsmanship error during the warranty period: Cahaba will provide replacement parts at no charge, or at its option, replace any product or part of the product that is deemed defective, under normal installation, use, service and maintenance. If Cahaba is unable to provide a replacement and repair is not practical or cannot be made in timely fashion, Cahaba may elect to refund the purchase price in exchange for the return of the product.

## CONDITIONS AND EXCLUSIONS

Like other home fixtures, Cahaba products will require light maintenance to ensure proper function. We provide you with complete knowledge to perform this maintenance and can also recommend resources if you are unable to fulfill this service.

- Cahaba will not be responsible for product failures due to lack of maintenance or proper use. Please read your care and maintenance documentation to determine the limits of proper use.
- The original sales receipt, order number, and/or proof of purchase must be presented at the time of the warranty claim, without exception, for this warranty to be applied to all Cahaba products.
- Cahaba recommends installing all Cahaba products with a licensed, professional plumber. Cahaba will not be held responsible for any damage or product failure due to improper installation, misuse, or failure to use a licensed professional. Please read your care and maintenance documentation to determine the limits of proper use.
- Commercial use will automatically void this warranty.

## NON-APPLICABILITY OF THIS WARRANTY

By the purchase and use of our products, you agree that Cahaba is not liable for incidental, consequential or special damages associated with the return, replacement, installation or use of your product. This includes freight costs, cartridge replacement, labor, travel time, lost profit, home damages and other contingent liabilities and costs (including, without limitation, costs associated with experts, investigations, analyses, attorneys and other professionals and services).

The Cahaba warranty is a comprehensive and explicit limit of liability and all items outside of it are not addressable by or the responsibility of Cahaba. Certain states have variances regarding implied warranties and in those situations we remain fully compliant. Cahaba makes no implication that products comply with any or all local building or plumbing codes. It is the consumer's responsibility to determine local code compliance. This warranty extends to the original purchaser and first consumer.