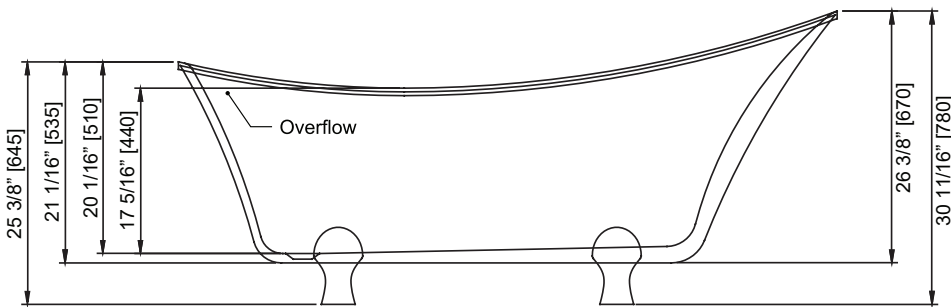


PEARL 69 IN. FREESTANDING ACRYLIC TUB

CA401002 (Chrome Pop-Up & Overflow)



FEATURES

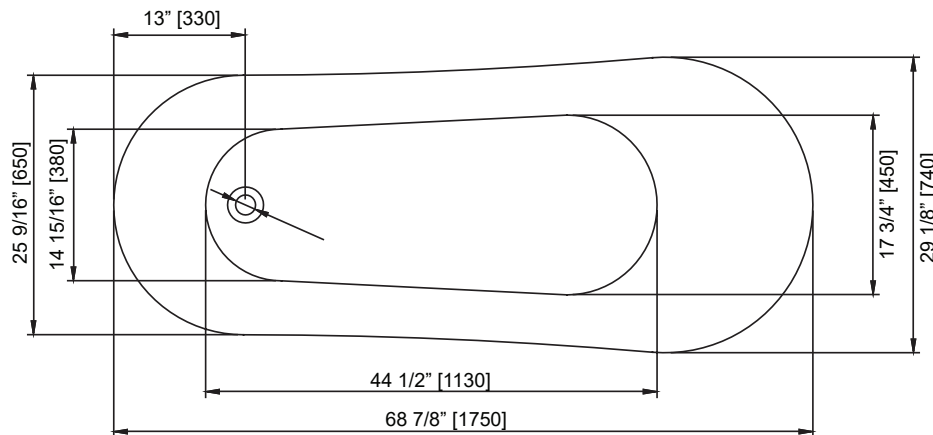
MODEL	CA401002
SIZE	68-7/8" L x 29-1/8" W x 30-11/16" H
DEPTH	17-5/16" Soaking Depth
CAPACITY	55.5 gal Capacity
WEIGHT	75 lbs Empty
MATERIAL	Acrylic
DRAIN	End (left or right), Included

- Lightweight, durable acrylic reinforced with fiberglass in a glossy white finish
- Comes with (4) chrome and (4) white finished interchangeable feet.
- Includes pre-installed chrome pop-up drain and waste overflow; not interchangeable
- No faucet holes - supports wall-mounted or freestanding faucets; Faucet not included
- Limited 25-year residential warranty

BEFORE YOU BEGIN INSTALLATION

- **Drawings are for reference ONLY.** This guide illustrates best practices.
- Carefully Read the instructions before starting installation.
- This product should be installed by an experienced plumber.
- Make sure the floor drain is already installed and is compliant with your local regulations.
- Piping and drain trap are not supplied

If you are missing any part, please stop and contact us immediately at (205) 702-9101.



FOR WARRANTY ISSUES OR QUESTIONS, CONTACT CAHABA AT (205) 702-9101.





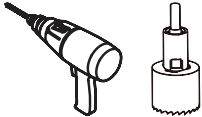

© 2021 CAHABA. ALL RIGHTS RESERVED.







PEARL 69 IN. FREESTANDING ACRYLIC TUB

Installation Instructions



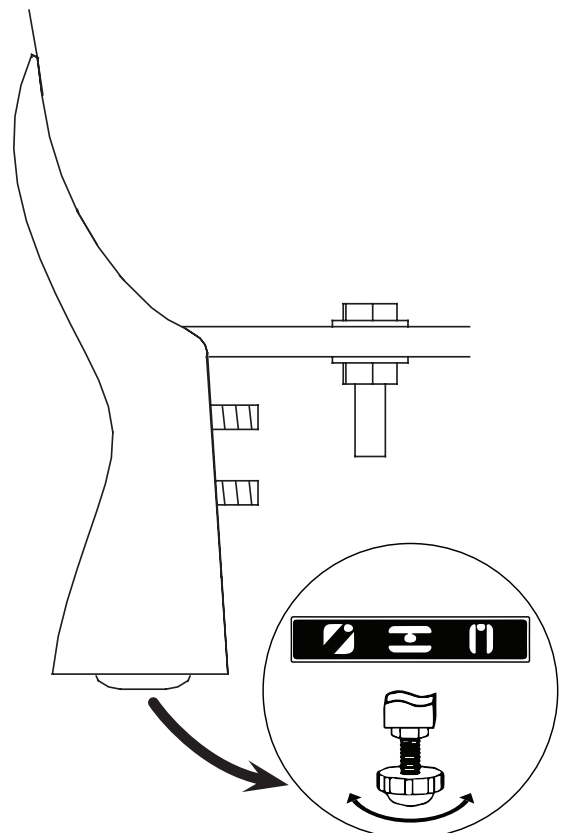
REQUIRED TOOLS & PARTS

TOOL	DESCRIPTION
	Pencil
	Level
	Adjustable Wrench
	Measuring Tape
	Drill & Hole Saw
	Silicone

PART	DESCRIPTION
	(8) 25mm Washer (extra)
	(20) 20mm Washer (extra)
	(2) Leg Screw (extra)
	(2) Nut (extra)
	(4) White, (4) Chrome Legs
	Drain Pipe

INSTALLATION

1. Remove the bathtub from its carton and place it on a throw rug or other protective floor covering material to prevent damage to the bath or floor.
2. Position a clean drop cloth or similar material in the bottom of the bathtub. Be careful not to scratch the surface of the bathtub.
3. Level the bath by turning the leveling feet at the bottom of the tub. You will need two people to manage this task.
4. Connect the trap to the drain.
5. Connect faucet.
6. Open the hot and cold water supplies and check all connections for leaks.
7. Fill the bathtub to the overflow and check for leaks.



PEARL 69 IN. FREESTANDING ACRYLIC TUB

Installation Instructions



SWAPPING OUT LEGS

1. Place the tub upside down on a throw rug or other protected surface.
2. Uninstall the pre-installed legs by unscrewing the nuts and removing the leg from the tub assembly (Diagram A).
3. Screw the two leg screws into the new leg (Diagram B).
4. In order to yield a tight fit between the leg and the bathtub body, adding washers to control the gap is required. Two sizes of washers are provided.

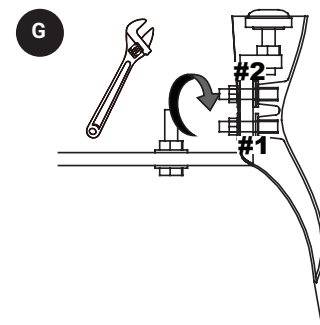
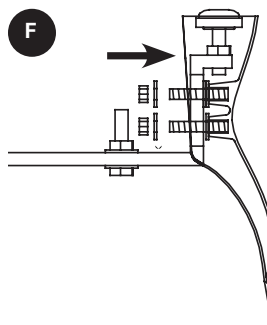
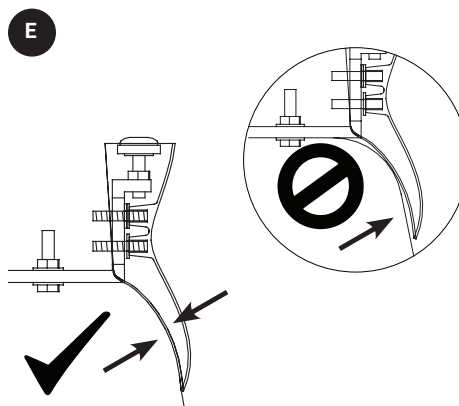
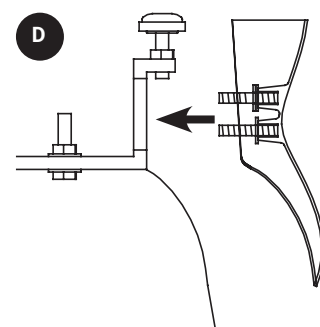
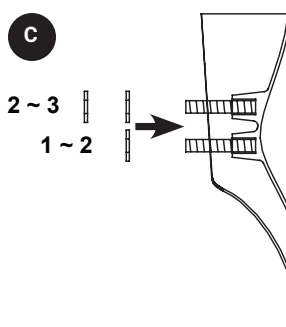
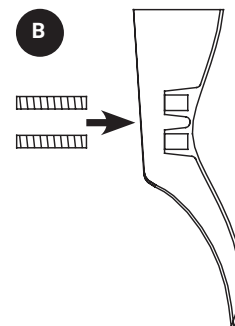
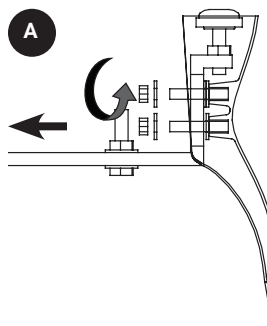
Start by using the 25mm washers and if you find that they overlap, then use the 20mm washers. You may need 2 to 3 washers for the top screw, whereas 1 to 2 washers might be required for the bottom screw (Diagram C).

It is recommended that you start by simply putting back the same amount of washers that were there before you uninstalled the original leg.

5. Slide the leg into the metal bracket, fitting the screws into the bracket's hole (Diagram D).
6. Move the leg up and down slightly to find its final resting position, where the gap between the leg and bathtub body is the smallest possible (Diagram E).

Once the position is found, make sure that the washers of the top and bottom screws fill the gap behind the bracket. If more washers are needed, add them now.

7. Very loosely mount one washer and one nut on each screw (Diagram F).
8. Start by tightening the BOTTOM screw. Once done, tighten the top screw with medium strength (Diagram G).



NOTE: The legs do not bear the weight of the product and serve a decorative function only.

PEARL 69 IN. FREESTANDING ACRYLIC TUB

Care & Maintenance



Acrylic tubs have a solid surface and the color goes all the way through the acrylic, rather than being painted or sprayed on. Because its a non-porous surface, acrylic is very easy to clean, but you'll still want to be sure the cleaning agent will not affect the finish of your tub.

RECOMMENDED CLEANERS

For routine cleaning use a non-abrasive soap. Dish washing detergent such as Joy®, Palmolive®, Ivory®, Dawn®, etc. and a soft sponge or cloth is all you need.

For stains or marks that require something stronger, the following are safe to use: Fantastic®, Tackle®, Top Job®, Formula 409®, ScrubFree®, Calgon Bath®, Clorox Bleach®, Spiffits®, Glass Plus®, and Spic & Span Powder®.

SUGGESTED MAINTENANCE

Scratches and dulling can be removed with a liquid polisher such as Cramer® Kitchen & Bath Acryl Star or Gel-Gloss®, or a metal polish. If your tub is lightly scratched, you can easily buff it out with polishing compound like buffing out fine scratches on a new car.

Deep scratches or burns can be removed by use of a very fine sandpaper (1500 grit) and then finishing with a liquid polish. Always wet the sandpaper with water to avoid scratching the surface and use a circular motion, covering an area wider than the scratch. Follow any buffing with polishing compound on the repaired area to bring it back to its original shine.

CAUTION

DO NOT clean your acrylic bathtub with pain thinner, Goof Off®, Scrubbing Bubbles®, Acetone, Lacquer Thinner, M. E. K.®, or other chemicals that attack the structural integrity of plastics (including, but not limited to, acetones). Use of these chemicals will destroy the acrylic surface of your bathtub and there is no way to reverse the damage caused by this type of chemical reaction. USE OF THESE CHEMICALS WILL VOID YOUR WARRANTY.

PEARL 69 IN. FREESTANDING ACRYLIC TUB

Limited 25 Year Warranty



WHO IS COVERED BY THE WARRANTY

This warranty extends to the original purchaser only. This warranty is not transferable, between homes or owners and is only applicable to residential use.

WHAT IS COVERED BY THE WARRANTY

Cahaba warrants our bathtubs to be free from defects in workmanship and materials under normal use and service for a period of 25 years.

- Cahaba warrants the acrylic surface against blistering or cracking and chipping resulting from a defect in the acrylic surface material when used under normal conditions and service for a period of 25 years from the purchase date.
- Cahaba warrants your satisfaction with each bathtub. Should any bathtub not meet your satisfaction due to a visual defect, simply return it to your retailer with the original packaging, PRIOR TO INSTALLATION, for a replacement.
- Cahaba will, at its election, repair, replace, or make appropriate adjustment where the Cahaba optional inspection discloses any such defects occurring in normal usage within the warranty periods. Please note that Cahaba is not responsible for installation or removal costs.
- Modification of any bath enclosure components may void the warranty. This warranty does not cover any claim arising from abuse, misuse, negligence, accident, improper installation or operations on the part of the purchaser. This warranty is void if the Cahaba product is subject to alterations, or if repairs were done to the bath unit.
- This warranty does not extend to any additional plumbing or components installed by dealers or installers.
- Implied warranties, including that of merchantability or fitness for a particular purpose, are expressly limited in duration to the duration of this warranty.

CONDITIONS AND EXCLUSIONS

Like other home fixtures, Cahaba products will require light maintenance to ensure proper function. We provide you with complete knowledge to perform this maintenance and can also recommend resources if you are unable to fulfill this service.

- Cahaba will not be responsible for product failures due to lack of maintenance or proper use. Please read your care and maintenance documentation to determine the limits of proper use.
- The original sales receipt, order number, and/or proof of purchase must be presented at the time of the warranty claim, without exception, for this warranty to be applied to all Cahaba products.
- Cahaba recommends installing all Cahaba products with a licensed, professional plumber. Cahaba will not be held responsible for any damage or product failure due to improper installation, misuse, or failure to use a licensed professional. Please read your care and maintenance documentation to determine the limits of proper use.
- Commercial use will automatically void this warranty.

NON-APPLICABILITY OF THIS WARRANTY

By the purchase and use of our products, you agree that Cahaba is not liable for incidental, consequential or special damages associated with the return, replacement, installation or use of your product. This includes freight costs, cartridge replacement, labor, travel time, lost profit, home damages and other contingent liabilities and costs (including, without limitation, costs associated with experts, investigations, analyses, attorneys and other professionals and services).

The Cahaba warranty is a comprehensive and explicit limit of liability and all items outside of it are not addressable by or the responsibility of Cahaba. Certain states have variances regarding implied warranties and in those situations we remain fully compliant. Cahaba makes no implication that products comply with any or all local building or plumbing codes. It is the consumer's responsibility to determine local code compliance. This warranty extends to the original purchaser and first consumer.

FOR WARRANTY ISSUES OR QUESTIONS, CONTACT CAHABA AT (205) 702-9101.

© 2021 CAHABA. ALL RIGHTS RESERVED.